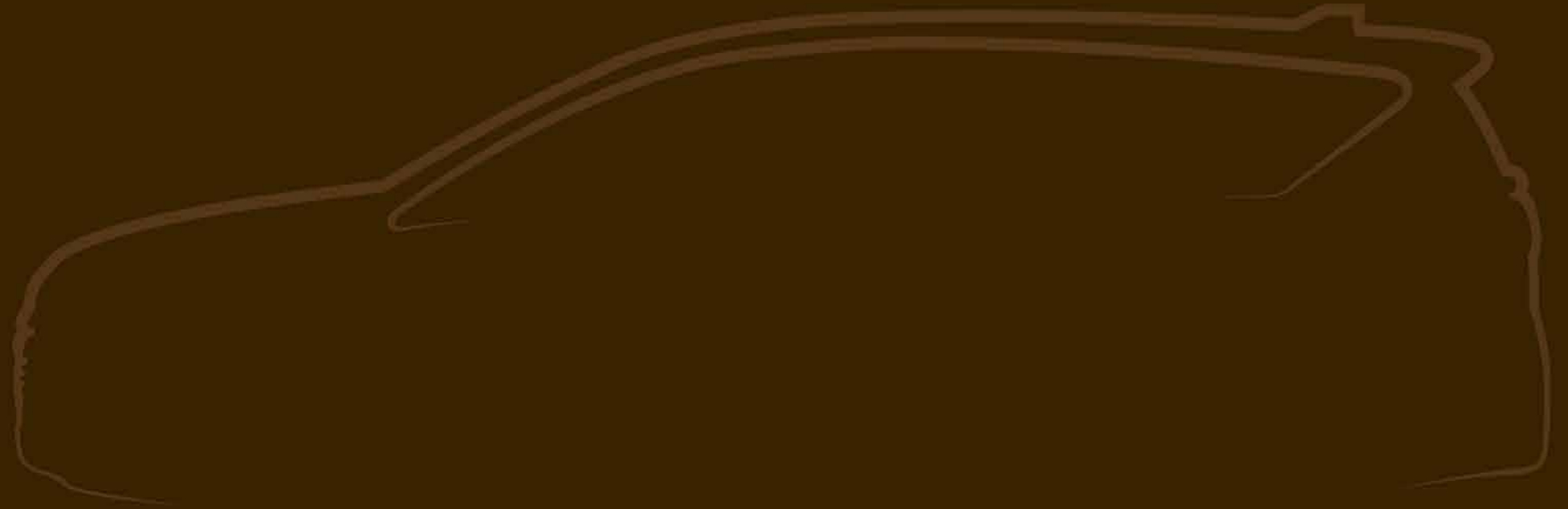




# SUPREME LUXURY ABSOLUTE POWER



ALL NEW  
**INNOVA**  
**CRYSTA** | LUXURY  
MEETS  
POWER



www.toyotaconnect.in



**UNMATCHED WARRANTY\***  
3 years / 1,00,000kms  
\*Conditions Apply

For more information, visit [www.toyotainnova.in](http://www.toyotainnova.in)  
You can Talk to Toyota at **1800-425-0001**  
(BSNL/MTNL Toll Free No.)  
or **+91-80-66293001** (Direct No.)



Is your Innova Crysta Dealer

Note: Vehicles pictured and specifications detailed in this brochure may vary between models and equipment. Addition of extra features may change figures in this chart. Toyota Kirloskar Motor Pvt. Ltd. reserves the right to alter the details of specifications and equipment without a notice. Actual colour of the vehicle body & upholstery might differ slightly from the images depicted in this brochure. Features are grade specific.



# THE ALL NEW INNOVA CRYSTA

The History .....

A Legacy of Innovation .....

Executive Chief Engineer's Message .....

The All New Innova Crysta .....

Exterior .....

Interior .....

Performance .....

Safety .....

## 11 YEARS OF REDEFINING STYLE, SPACE, SAFETY AND COMFORT

The Innova has been India's favourite ever since it hit the road in 2005. That's why it has been awarded No.1 in Initial Quality Survey (IQS) by J.D. Power Asia Pacific for 11 years in a row, for best quality in its segment. Now that's not surprising at all when you break new ground in style, space, safety and comfort, year after year.

## TRIGGERED BY IMAGINATION FUELLED BY INNOVATION

Toyota believes the best way to predict the future is to innovate. It's what distinguishes the Innova from the bevy of other vehicles in the country. For when you choose the Innova, you choose an innovative blend of elegant design, versatile features, superior performance, excellent drivability and world-class safety.

“IT WAS MY MISSION  
TO ENSURE THAT  
THE NEW INNOVA  
WOULD EXCEED  
CUSTOMER EXPECTATIONS.”

**Hiroki Nakajima**  
Innova Executive Chief Engineer



“Development of the new Innova required me to understand how aspects of Innova’s desirability were changing. Customers now demand a stylish Innova that is **safer and more efficient**, apart from the high functionality.

It was my mission to ensure that the new Innova would **exceed customer expectations** throughout its model life. So I decided that the new Innova should have **two sides**; a side that answers the needs of customers who expect the same values as before, and a side that satisfies customers looking for new values.

Innova’s legendary QDR and toughness was taken to a new level. ‘**Tougher Than We Can Imagine**’ was the slogan of the development team. The new Innova holds the potential to not only satisfy our most loyal customers but also win over new customers.”

**FLAWLESS LUXURY**



**EFFORTLESS POWER**





## LUXURY MEETS ITS MATCH IN POWER



Inspired by the grandeur and toughness of crystals, Luxury and Power come together in the **All New Innova Crysta**, a shining example of Toyota's philosophy of Quality, Durability and Reliability. Crafted to luxurious perfection, the new Innova is all set to get your hearts racing. A newly developed diesel engine with further evolved low-speed torque also makes it the most powerful vehicle in its class.

The All New Innova Crysta commands a certain powerful presence, thanks to bold exterior silhouettes, an

imposing new grille and muscular wheel arches. What's more, under the hood is a powerful engine that performs at will, courtesy the **6 speed automatic** and 5 speed manual gearshifts.

Step inside and the new Innova will leave you speechless with its excellent craftsmanship and glorious attention to luxury. Living room like comfort, ambient mood lighting, exceptional quietness and signature third row comfort means plenty of delightful drives and joyful journeys.

## COMMANDING PRESENCE



## BOLD DESIGN

The All New Innova Crysta's elegant silhouette and powerful design creates a distinct presence in the city and beyond. Its bold and sophisticated styling, expressed through an aerodynamic posture, evokes an amazing sense of stability on the road.

FIRST IN CLASS



▶ **Elegant New Grille**  
with a 3D trapezoidal design for a powerful impression



▶ **Automatic LED Projector Headlamps**  
with auto levelling, follow-me-home and LED clearance lamps adds to the innovative appearance



▶ **Sophisticated Alloy Wheels**  
for a sharp and sporty look



▶ **Electrically Adjustable & Retracting Chrome Finished ORVM**  
with elegant side turn indicator & welcome lamps



▶ **Chrome Window Lining**  
for a premium statement



Premium Design Smart Entry Key with blue accents to match interior illumination



Rear Unique Inverted Lights with L-shaped silhouette and aero stabilising fins



Welcome Lamps provide a warm welcome every time you approach the Innova Crysta



Back Door Easy Closer to effortlessly close the back door



Shark Fin Antenna and Integrated Rear Spoiler adds to the overall aerodynamics

FIRST IN CLASS



## IMMACULATELY CRAFTED

## IMPECCABLY STYLED

The All New Innova Crysta's interior is the perfect blend of refinement and elegance realised through the combination of strength and space. A driver centric flowing dashboard design with unique silver and wood finish ornamentation and living room like comfort brings out a sense of luxury and sophistication.

FIRST IN CLASS



Ambient Illumination gives the cabin a luxurious look and feel



Start & Stop Button for the convenience of starting the car at the touch of a button



User-friendly Touchscreen Audio with navigation and trip information



Sophisticated Steering Wheel leather wrapped with wood finish and a large gripping area with multifunction switches, provides an easy driving experience



Blue Illumination, 3-Dimensional Combination Meter with Large TFT MID with drive information, cost calculator and telephone/navigation display adds to the car's intelligence



Featured Above: Hazel Brown Leather Upholstery

**Premium Leather Seats**  
ergonomically designed for lounge-like comfort, including a 8-way power adjust driver seat



**Wood Finish Interior Panels**  
for a premium and luxurious look



FIRST IN CLASS

**Upper Glove Box with Cooling**  
to keep your beverages cold and refreshing



FIRST IN CLASS

**One Touch Tumble Second Row Seat**  
makes access to the third row seats easy. One touch space-up third row seat makes room for extra storage



FIRST IN CLASS

**Rear AC Auto Cooler with Digital Display**  
for added convenience



FIRST IN CLASS

**Easy Slide Front Passenger Seat**  
to adjust the rear legroom



**Foldable Seatback Table with Cup Holder**  
to place your knick knacks on the go



**Smart Phone Holder with USB Port & AUX-In**  
for staying connected at all times

## INTELLIGENT DYNAMICS



## ENHANCED EFFICIENCY

The All New Innova Crysta's ample power and smooth drivability makes driving easy while excellent fuel efficiency keeps every drive economical. For the first time, the Innova comes with a choice of 6 speed Automatic Transmission with sequential shift and a 5 speed Manual Transmission.



**6 Super ECT with Sequential Shift**  
6 speed super intelligent electronically controlled automatic transmission that draws out the engine's maximum potential



**ECO & POWER Drive Modes**  
to choose between 2 distinct driving modes. ECO mode for optimum fuel economy and POWER mode for sharper acceleration response

**GD Diesel Engine**  
A newly developed GD engine with further evolved low-speed torque makes it the most powerful engine in its class



**Powerful New Diesel Engine**  
has improved fuel economy performance while torque in the low and medium speed ranges have been considerably increased



**Improved Suspension with Pitch & Bounce Control**  
keeps cabin movement to minimum and maintains smooth ride on rough roads

# UNCOMPROMISING SAFETY

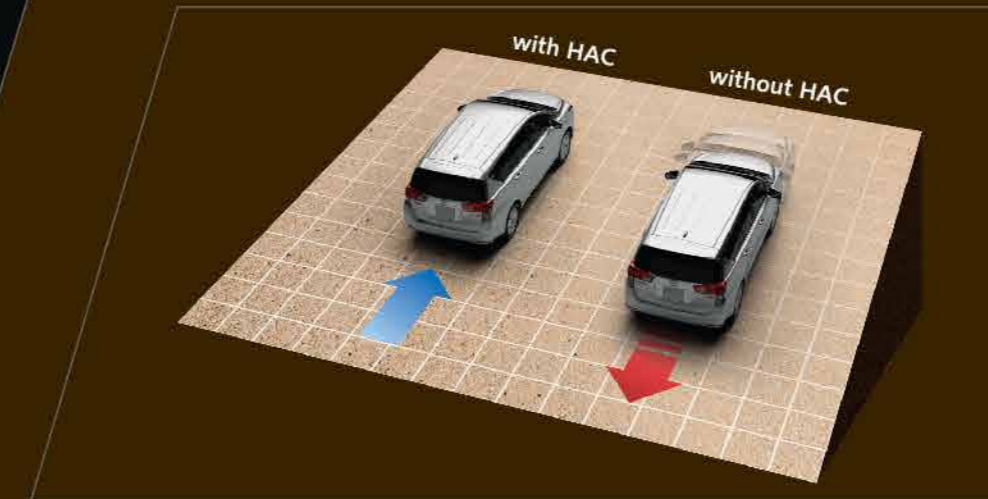
FIRST IN CLASS: 7 SRS AIRBAGS\*



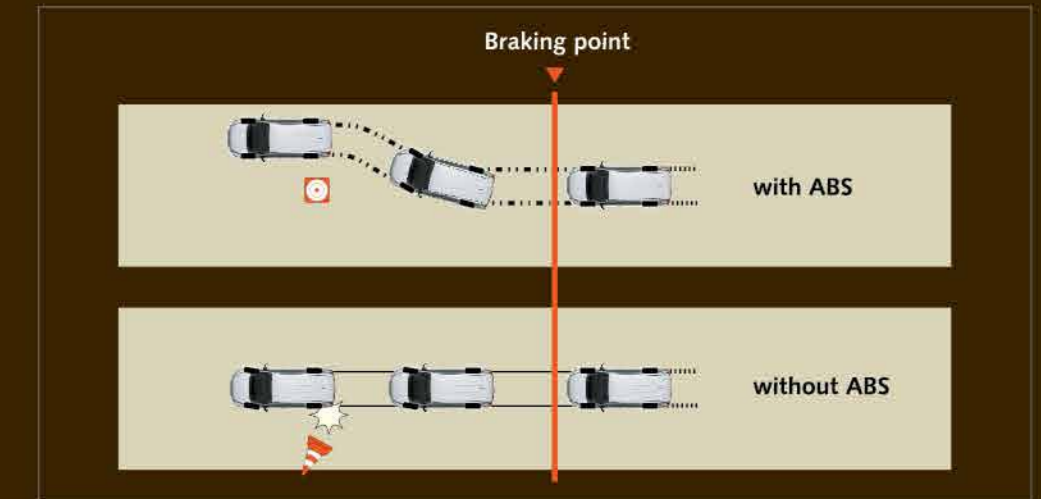
\*For more details on the functioning of Airbags please refer to the owner's manual

# UNMATCHED STANDARDS

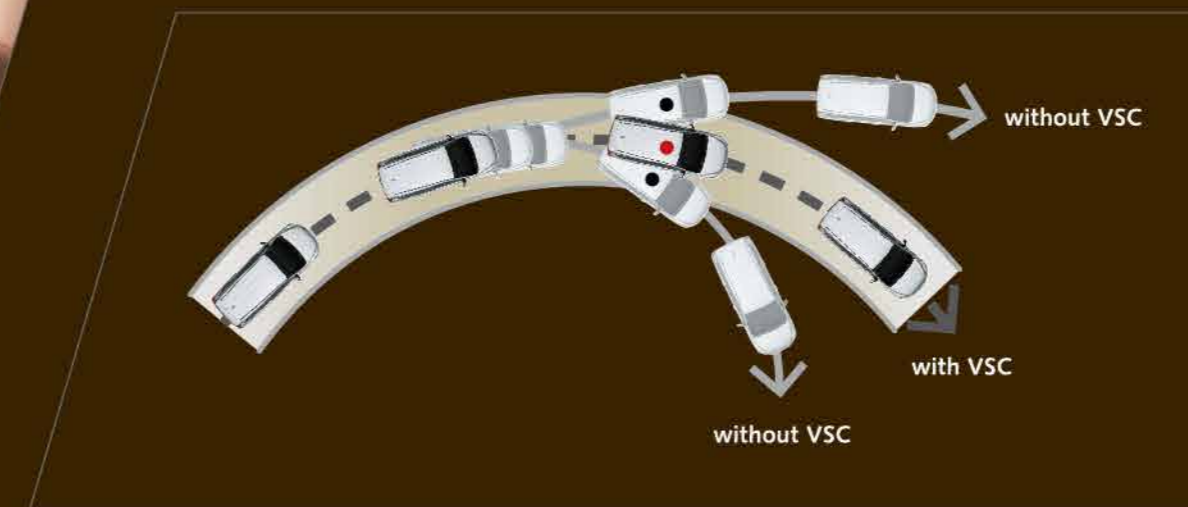
The All New Innova Crysta gets enhanced with new age safety features like 7 SRS Airbags\*, 3 Point Seatbelt for all passengers, Height Adjustable Front Seatbelt with Pretensioner and Force Limiter, Anti-lock Braking System, Electronic Brake-force Distribution, Brake Assist, Hill-start Assist Control, Vehicle Stability Control, GOA Body and other safety features thus making it a safe haven on wheels.



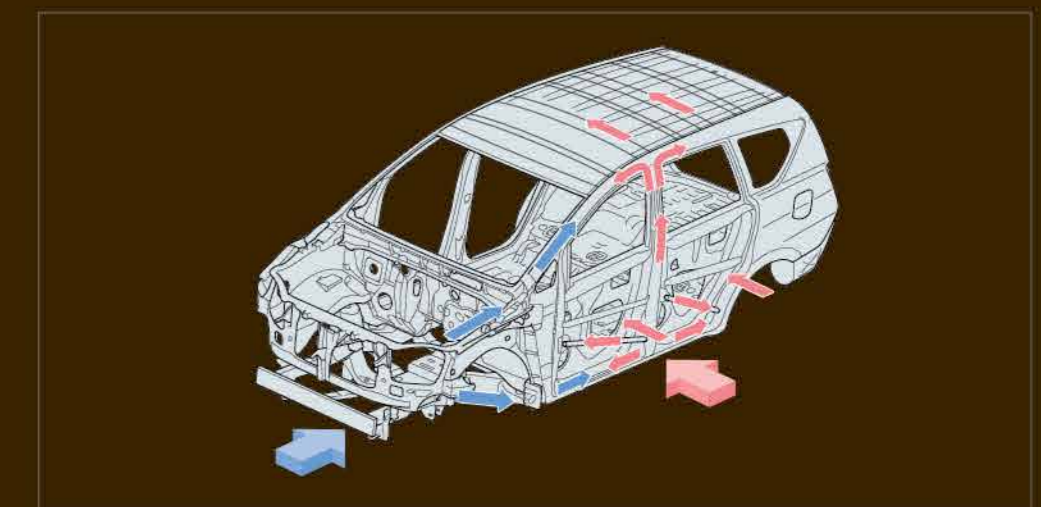
**Hill-start Assist Control**  
automatically controls the brakes suppressing vehicle rollback when starting off on a slope, reducing the burden on the driver



**Anti-lock Braking System**  
prevents wheels from locking and enables greater maneuverability and steering control



**Vehicle Stability Control**  
automatically controls both vehicle brakes and engine output during over steer or under steer while the vehicle is making a turn, ensuring vehicle stability



**GOA Body**  
is a high strength body structure that effectively absorbs impacts and distributes it evenly during unforeseen collisions, thereby reducing passenger and pedestrian injuries

# ALLURING ACCESSORIES

Authentic Toyota accessories to spruce up your Innova



Lower Grille Garnish  
makes an attractive first impression



Side Moulding Chrome\*  
adds character to your vehicle and protects the doors



Side Visor with Chrome  
allows you to leave the window slightly open when it's raining



Roof Ornament  
enhances overall stance of the car



Tail Lamp Chrome Garnish & Back Door Garnish  
highlights the rear profile of the car



Rear Bike Protector  
protects rear bumper and side of car



Chrome Door Housing  
gives the car an inviting entry

# VIBRANT COLOUR CHOICES



GARNET RED



AVANT-GARDE BRONZE



WHITE PEARL CRYSTAL SHINE



GREY



SILVER



SUPER WHITE

\*Please check the availability of the accessory with the dealer.

# SPECIFICATIONS

GRADE	G	G	V	Z	Z
	X MANUAL 7 / 8 SEATER	X AUTOMATIC 7 / 8 SEATER	X MANUAL 7 / 8 SEATER	X MANUAL 7 SEATER	X AUTOMATIC 7 SEATER
SEATING CAPACITY					
<b>DIMENSIONS</b>					
OVERALL LENGTH			4.735 m		
OVERALL WIDTH			1.830 m		
OVERALL HEIGHT			1.795 m		
WHEELBASE			2.750 m		
TREAD FRONT/REAR		1.540 m / 1.540 m			1.530 m / 1.530 m
MIN. TURNING RADIUS			5.4 m		
FUEL TANK CAPACITY			55 l		
<b>WEIGHT</b>					
MAX. KERB WEIGHT	7 SEATER: 1815 kg 8 SEATER: 1820 kg	7 SEATER: 1830 kg 8 SEATER: 1835 kg	7 SEATER: 1820 kg 8 SEATER: 1825 kg	7 SEATER: 1855 kg	7 SEATER: 1880 kg
GROSS WEIGHT	7 SEATER: 2430 kg 8 SEATER: 2460 kg	7 SEATER: 2450 kg 8 SEATER: 2480 kg	7 SEATER: 2430 kg 8 SEATER: 2460 kg	7 SEATER: 2430 kg	7 SEATER: 2450 kg
<b>ENGINE, TRANSMISSION &amp; CHASSIS</b>					
TYPE	BSIV: 2GD-FTV, DIESEL WITH INTERCOOLER, VARIABLE NOZZLE TURBOCHARGER, 4-INLINE CYLINDER, DOHC 16 VALVE, COMMON RAIL	BSIV: 1GD-FTV, DIESEL WITH INTERCOOLER, VARIABLE NOZZLE TURBOCHARGER, 4-INLINE CYLINDER, DOHC 16 VALVE, COMMON RAIL	BSIV: 2GD-FTV, DIESEL WITH INTERCOOLER, VARIABLE NOZZLE TURBOCHARGER, 4-INLINE CYLINDER, DOHC 16 VALVE, COMMON RAIL	BSIV: 1GD-FTV, DIESEL WITH INTERCOOLER, VARIABLE NOZZLE TURBOCHARGER, 4-INLINE CYLINDER, DOHC 16 VALVE, COMMON RAIL	
DISPLACEMENT	2,393 cm <sup>3</sup> (cc)	2,755 cm <sup>3</sup> (cc)	2,393 cm <sup>3</sup> (cc)	2,755 cm <sup>3</sup> (cc)	
DRIVE MODES			ECO & POWER MODE		
MAX. OUTPUT	110kW (150PS) @ 3400 rpm	128kW (174PS) @ 3400 rpm	110kW (150PS) @ 3400 rpm	128kW (174PS) @ 3400 rpm	
MAX. TORQUE	343Nm (35.0 kg-m) @ 1400 - 2800 rpm	360Nm (36.7 kg-m) @ 1200 - 3400 rpm	343Nm (35.0 kg-m) @ 1400 - 2800 rpm	360Nm (36.7 kg-m) @ 1200 - 3400 rpm	
TRANSMISSION	5 SPEED MANUAL	6 SPEED AUTOMATIC WITH SEQUENTIAL SHIFT	5 SPEED MANUAL	6 SPEED AUTOMATIC WITH SEQUENTIAL SHIFT	
SUSPENSION FRONT / REAR			DOUBLE WISHBONE WITH TORSION BAR / 4-LINK WITH COIL SPRING		
PITCH & BOUNCE CONTROL					
BRAKES FRONT / REAR			DISC / LEADING-TRAILING DRUM		
TYRES		205 / 65 R16 WITH ALLOY WHEEL		215 / 55 R17 WITH ALLOY WHEEL	
<b>EXTERIOR</b>					
RADIATOR GRILLE		GREY & SILVER		BLACK & CHROME-FINISH	BLACK & CHROME-FINISH WITH HIGH GLOSS LOWER GRILLE
HEADLAMP		MULTIREFLECTOR			AUTOMATIC LED PROJECTOR, HALOGEN WITH LED CLEARANCE LAMP
HEADLAMP LEVELLING		MANUAL			AUTOMATIC
FRONT LED FOG LAMP	x				WITH CHROME BEZEL
REAR FOG LAMP	x				
OUTSIDE REAR VIEW MIRROR		BODY COLOURED, ELECTRIC ADJUST & RETRACT, WELCOME LIGHTS WITH SIDE TURN INDICATORS			CHROME, ELECTRIC ADJUST & RETRACT, WELCOME LIGHTS WITH SIDE TURN INDICATORS
DOOR BELT ORNAMENT	x				WITH CHROME-FINISH
ANTENNA			SHARK FIN TYPE		
BLACK-OUT DOOR FRAME					
DOOR OUTSIDE HANDLE		BODY COLOUR			CHROME
REAR SPOILER			INTEGRATED TYPE WITH LED HIGH MOUNT STOP LAMP		
FRONT WIPER		INTERMITTENT & MIST			INTERMITTENT WITH TIME ADJUST & MIST
REAR WINDOW WIPER					
REAR WINDOW DEFOGGER					
<b>INTERIOR</b>					
INDIRECT BLUE AMBIENT ILLUMINATION	x				
INSTRUMENT PANEL		WITH BLACK LINE DECORATION		WITH SILVER LINE DECORATION & RED WOOD-FINISH ORNAMENT	WITH SILVER LINE DECORATION & HAZEL BROWN WOOD-FINISH ORNAMENT
STEERING WHEEL		URETHANE WITH SILVER ORNAMENT		LEATHER WRAP WITH SILVER & RED WOOD-FINISH ORNAMENT	LEATHER WRAP WITH SILVER & HAZEL BROWN WOOD-FINISH ORNAMENT
SPEEDOMETER		WITH MULTI INFORMATION DISPLAY		BLUE ILLUMINATION, 3D DESIGN WITH LARGE TFT MULTI INFORMATION DISPLAY & ILLUMINATION CONTROL	
MULTI INFORMATION DISPLAY (MID)	DOT TYPE MID WITH DRIVE INFORMATION (FUEL CONSUMPTION, CRUISING RANGE, AVERAGE SPEED, ELAPSED TIME, ECO INDICATOR), OUTSIDE TEMPERATURE	DOT TYPE MID WITH DRIVE INFORMATION (FUEL CONSUMPTION, CRUISING RANGE, AVERAGE SPEED, ELAPSED TIME, ECO INDICATOR), OUTSIDE TEMPERATURE, SHIFT POSITION INDICATOR	TFT MID WITH DRIVE INFORMATION (FUEL CONSUMPTION, CRUISING RANGE, AVERAGE SPEED, ELAPSED TIME, ECO DRIVE INDICATOR & ECO SCORE, ECO WALLET), OUTSIDE TEMPERATURE, AUDIO DISPLAY, PHONE CALLER DISPLAY, WARNING MESSAGE, CRUISE CONTROL DISPLAY, NAVIGATION DISPLAY	TFT MID WITH DRIVE INFORMATION (FUEL CONSUMPTION, CRUISING RANGE, AVERAGE SPEED, ELAPSED TIME, ECO DRIVE INDICATOR & ECO SCORE, ECO WALLET, CRUISE CONTROL DISPLAY), OUTSIDE TEMPERATURE, NAVIGATION DISPLAY, AUDIO DISPLAY, PHONE CALLER DISPLAY, WARNING MESSAGE	TFT MID WITH DRIVE INFORMATION (FUEL CONSUMPTION, CRUISING RANGE, AVERAGE SPEED, ELAPSED TIME, ECO DRIVE INDICATOR & ECO SCORE, ECO WALLET, CRUISE CONTROL DISPLAY), OUTSIDE TEMPERATURE, NAVIGATION DISPLAY, AUDIO DISPLAY, PHONE CALLER DISPLAY, WARNING MESSAGE, SHIFT POSITION INDICATOR
ECONOMY METER			ECO LAMP WITH ZONE DISPLAY		
ROOM LAMP				WITH REAR PERSONAL LIGHTS	
FRONT PERSONAL LAMP			WITH SUNGLASS HOLDER		
ILLUMINATED ENTRY SYSTEM		IGNITION KEY & ROOM LAMP		ALL ROOM LAMPS	
SHIFT LEVER KNOB		URETHANE		LEATHER WRAP WITH CHROME ORNAMENT	
DOOR INSIDE HANDLE			CHROME		
DOOR INNER GARNISH		MATERIAL COLOUR		FRONT: SILVER & PIANO BLACK; REAR: SILVER & HAZEL BROWN WOOD-FINISH	
GLOVE BOX		COOLED UPPER GLOVE BOX, LOCKABLE & DAMPED LOWER GLOVE BOX		COOLED UPPER GLOVE BOX, LOCKABLE & DAMPED LOWER GLOVE BOX WITH ILLUMINATION	
CONSOLE BOX		WITH LID	WITH SOFT LID	WITH SOFT LID & RED WOOD-FINISH ORNAMENT	WITH SOFT LID & HAZEL BROWN WOOD-FINISH ORNAMENT
PARKING BRAKE		LEVER TYPE		LEVER TYPE WITH CHROME BUTTON	

GRADE	G	G	V	Z	Z
	X MANUAL 7 / 8 SEATER	X AUTOMATIC 7 / 8 SEATER	X MANUAL 7 / 8 SEATER	X MANUAL 7 SEATER	X AUTOMATIC 7 SEATER
SEATING CAPACITY					
<b>INTERIOR (CONT.)</b>					
SUN VISOR			FABRIC WITH MIRROR AND LID	FABRIC WITH MIRROR, LID AND LAMP	
ASSIST GRIP			FRONT x 1, REAR x 4 (RETRACTABLE)	FRONT x 2, REAR x 4 (RETRACTABLE)	
LUGGAGE ROOM LAMP					
<b>SEATS, COMFORT &amp; CONVENIENCE</b>					
AIR CONDITIONER		MANUAL CONTROL		AUTOMATIC CLIMATE CONTROL WITH COOL START AND REGISTER ORNAMENT	
REAR AIR CONDITIONER (2 <sup>ND</sup> & 3 <sup>RD</sup> ROW)		MANUAL CONTROL		AUTOMATIC CONTROL	
FRONT SEAT			SEPARATE SEATS WITH SLIDE & RECLINE, DRIVER SEAT HEIGHT ADJUST		
8-WAY POWER ADJUST DRIVER SEAT	x		x		
PASSENGER SEAT EASY SLIDE	x		x		
2 <sup>ND</sup> ROW SEAT (8 SEATER)			60:40 SPLIT SEAT WITH SLIDE & ONE-TOUCH TUMBLE		
2 <sup>ND</sup> ROW SEAT (7 SEATER)				CAPTAIN SEATS WITH SLIDE & ONE-TOUCH TUMBLE	
3 <sup>RD</sup> ROW SEAT				50:50 SPLIT SEAT WITH ONE-TOUCH EASY SPACE-UP	
REAR SEAT RECLINE				2 <sup>ND</sup> & 3 <sup>RD</sup> ROW	
2 <sup>ND</sup> ROW ARMREST					
REAR HEADRESTS				HEIGHT ADJUSTABLE FOR ALL PASSENGERS	
SEAT COVER MATERIAL		BLACK FABRIC		PREMIUM BLACK FABRIC	BLACK LEATHER* HAZEL BROWN LEATHER#
AUDIO		DISPLAY AUDIO, CAPACITIVE TOUCH SCREEN, FLICK & DRAG FUNCTION, DVD, BLUETOOTH		DISPLAY AUDIO, CAPACITIVE TOUCH SCREEN, FLICK & DRAG FUNCTION, DVD, BLUETOOTH, REMOTE	
NAVIGATION	x		x		
SPEAKERS		4 Nos			6 Nos
AUDIO JACK				WITH USB & AUX-IN	
SMART ENTRY SYSTEM	x		x		
WIRELESS DOOR LOCK		WITH JACK-KNIFE KEY			WITH SMART ENTRY KEY & PUSH START / STOP BUTTON
SPEED SENSING DOOR LOCK					
IMPACT SENSING DOOR UNLOCK WITH DOOR CONTROL BATTERY					
POWER DOOR LOCK					
EASY CLOSER BACK DOOR					
CRUISE CONTROL					
SEAT BACK POCKET				WITH SHOPPING HOOK	
SEAT BACK TABLE	x		x		WITH RED WOOD-FINISH ORNAMENT WITH HAZEL BROWN WOOD-FINISH ORNAMENT
TILT & TELESCOPIC STEERING COLUMN					
POWER STEERING					
STEERING SWITCH MID, AUDIO CONTROL, TELEPHONE					WITH VOICE RECOGNITION
POWER WINDOW		WITH AUTO UP / DOWN AT DRIVER WINDOW			WITH AUTO UP / DOWN ON ALL WINDOWS
JAM PROTECTION ON POWER WINDOW		JAM PROTECTION ON DRIVER WINDOW			JAM PROTECTION ON ALL WINDOWS
DOOR COURTESY LAMP	x		x		
DRIVER FOOT REST					
ACCESSORY CONNECTOR 12V DC				2 Nos	
FUEL LEVEL, LIGHT REMIND, KEY REMIND WARNING					
MICROPHONE & AMPLIFIER (FOR BLUETOOTH TELEPHONE)					
<b>SAFETY &amp; SECURITY</b>					
SRS AIRBAG**		DRIVER, FRONT PASSENGER & DRIVER KNEE AIRBAGS** (3 Nos)			DRIVER, FRONT PASSENGER, DRIVER KNEE, FRONT SIDE, CURTAIN SHIELD AIRBAGS** (7 Nos)
ABS WITH EBD & BA					
VEHICLE STABILITY CONTROL	x		x		
HILL START ASSIST CONTROL	x		x		
GOA BODY					
FRONT SEAT BELT				3 POINT ELR WITH PRETENSIONER & FORCE LIMITER, HEIGHT ADJUSTABLE	
REAR SEAT BELTS				3 POINT ELR SEATBELTS FOR ALL PASSENGERS	
CHILD RESTRAINT SYSTEM				ISOFIX x 2 & TETHER ANCHOR	
BACK MONITOR	x		x		
CLEARANCE & BACK SONAR					
CLUTCH START SYSTEM					
SEAT BELT WARNING					
DOOR AJAR WARNING				WITH EACH DOOR DISPLAY	
ANTI-THEFT SYSTEM		IMMOBILIZER + SIREN			IMMOBILIZER + SIREN + ULTRASONIC SENSOR + GLASS BREAK SENSOR
EMERGENCY BRAKE SIGNAL	x		x		
<b>COLOURS</b>					
GARNET RED					
WHITE PEARL CRYSTAL SHINE	x		x		
AVANT-GARDE BRONZE					
SILVER					
GREY					
SUPER WHITE					

\*Mix of Genuine and Synthetic Leather. \*\*Grade E & G are made to order. \*\*For more details on the functioning of Airbags please refer to the owner's manual.